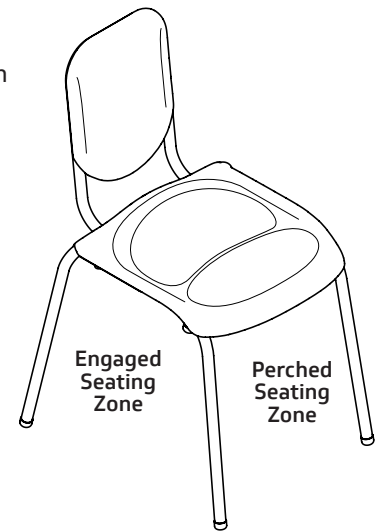
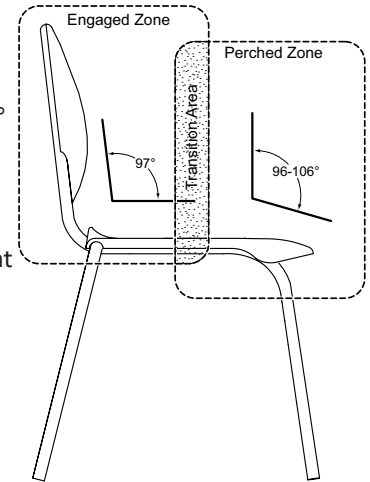


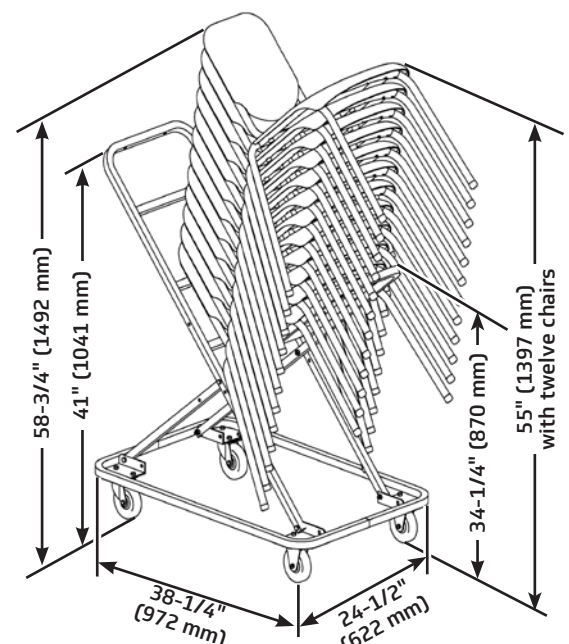
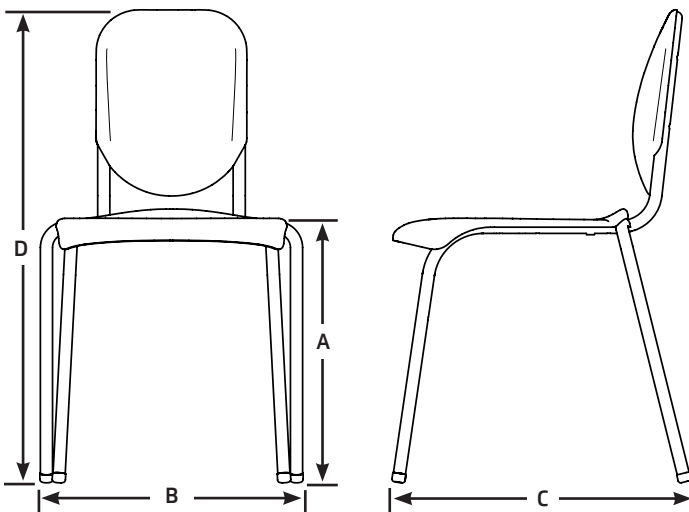
Nota[®] Standard Chair

- 0330000 11 lb (5 kg)
- Black powder-coat paint finish frame for maximum durability
- Patented design provides two seating zones: "Engaged" (rear) and "Perched" (forward)
 - The engaged position allows the occupant to sit with a thigh to back angle of 97°
 - The perched position allows the occupant to sit with a thigh to back angle in the range of 96-106°
 - A transition area allows users to move seamlessly between zones.
 Each zone enhances performance by promoting a naturally balanced skeletal shape, reducing muscle strain and enabling increased circulation, freedom of movement, and diaphragmatic breathing
- Narrow convex back provides lumbar support while still allowing for freedom and range of movement
- Wear resistant black polypropylene seat and back promote even weight distribution, greater comfort and a lasting appearance
- Back is 1/8" (3 mm) thick, seat is 9/64" (3.6 mm) thick
- 14-gauge 7/8" (22 mm) welded round tube frame
- Available in heights of: 14-1/2" (368 mm), 16" (406 mm), 17-1/2" (445 mm), 19" (483 mm), 20-1/2" (521 mm)
- Rounded waterfall front allows one height of chair to accommodate a wider range of body sizes
- Durable, specially designed floor glides provide stability when seated and ease of movement when arranging chairs
- Chairs stack for compact storage, up to eighteen chairs on a cart; eight without a cart; if chairs are equipped with the ganging clamp accessory, they can be stacked no more than six high
- Specially designed stacking bumpers provide maximum stability and protection when chairs are stacked
- ANSI/BIFMA x 5.1-2002
- UL GREENGUARD certified - product certified for low chemical emissions: ul.com/gg - UL 2818
- Ten-year warranty



Chair Height	A*	B	C	D
14-1/2" (368 mm)	14-1/2" (368 mm)	19" (483 mm)	19-3/8" (492 mm)	29-1/8" (740 mm)
16" (406 mm)	16" (406 mm)	19" (483 mm)	20-1/8" (511 mm)	30-3/4" (781 mm)
17-1/2" (445 mm)	17-1/2" (445 mm)	19" (483 mm)	21" (533 mm)	32-1/4" (819 mm)
19" (483 mm)	19" (483 mm)	19" (483 mm)	21-5/8" (549 mm)	33-7/8" (860 mm)
20-1/2" (521 mm)	20-1/2" (521 mm)	19" (483 mm)	22-1/4" (565 mm)	35-3/8" (899 mm)

*Dimension "A" measures frame height, not seat height.



Move 'N Store Cart

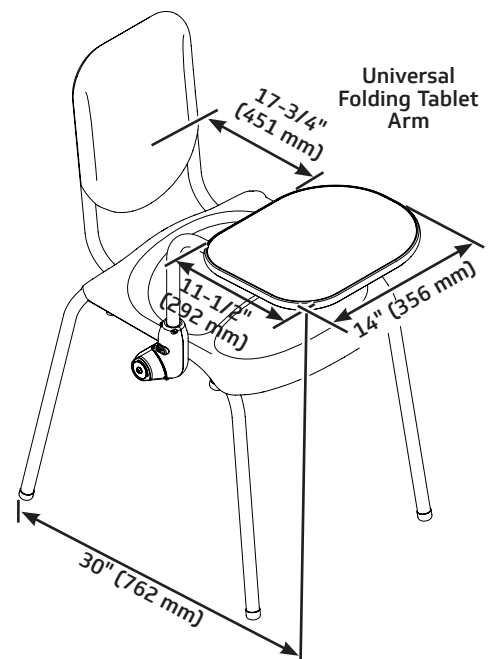
Accessories Include:

Move 'N Store Cart

- 127A261 30 lb (13.6 kg)
- Stack, move and store up to eighteen Nota Standard Chairs
- 16-gauge steel construction with easy roll casters

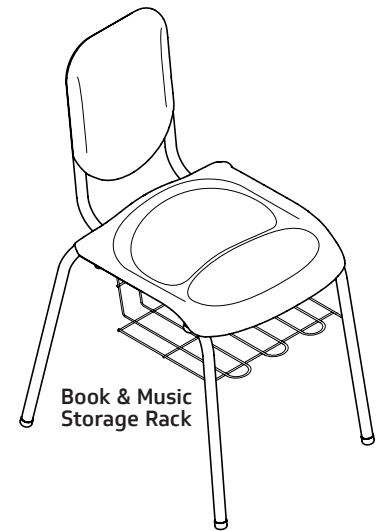
Universal Folding Tablet Arm

- 0331010 5 lb (2.3 kg)
- Can be set up for either right or left hand configuration
- Choice of laminated surface colors: Graphite, Cherry, Fusion Maple and Solar Oak
- 14" x 11-1/2" (356 x 292 mm) desk surface
- Black polycarbonate desk tray
- 14-gauge support assembly
- Can be added at any time
- Chairs cannot be stacked with this accessory attached



Book & Music Storage Rack

- 190A066 2 lb (1 kg)
- Mounts under chair
- Black powder-coat paint finish for maximum durability
- 3/16" diameter solid steel rod construction
- Can be added at any time
- Maximum storage weight: 30 lb
- Chairs cannot be stacked with this accessory attached

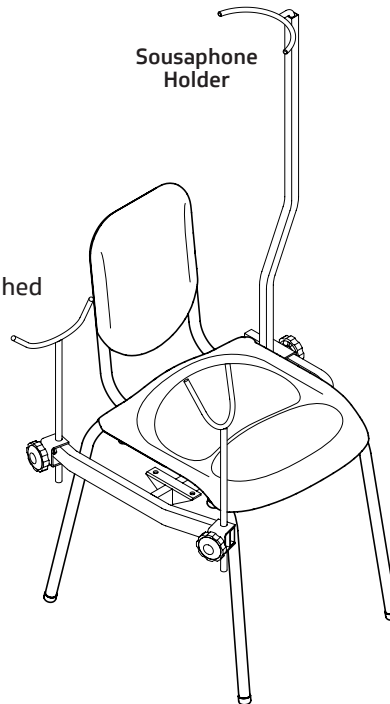


Tuba Rest

- 190A187 3 lb (1.4 kg)
- Thru-bolted frame 16-gauge steel construction supports the full weight of the tuba
- Height and depth adjustable
- Vinyl protective coating
- Can be added at any time
- Chairs cannot be stacked with this accessory attached

Sousaphone Holder

- 190A184 11 lb (5 kg)
- 14-gauge steel support frame and 16-gauge steel uprights
- Supports and helps balance the sousaphone
- Can be used for storage
- Adjustable height
- Vinyl protective coating
- Can be added at any time
- Chairs cannot be stacked with this accessory attached

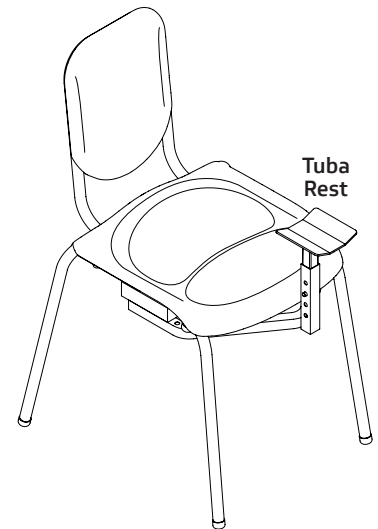


Ganging Clamps

- 190A059
- Molded polycarbonate
- Used to connect chairs together

Dust Cover

- 054D500
- Vinyl coated polypropylene
- For use with chairs stacked on cart



Wenger

JRCLANCY

GEARBOSS

© 2025 Wenger Corporation
USA/2025-03

Minnesota Location

Wenger Phone 800.4WENGER (493-6437) Wenger Worldwide +1.507.455.4100 | Parts & Service 800.887.7145 | wengercorp.com

GearBoss Phone 800.493.6437 | gearboss.com

555 Park Drive, PO Box 448 | Owatonna | MN 55060

New York Location

J.R. Clancy Phone 800.836.1885 JR Clancy Worldwide +1.315.451.3440 | jrclancy.com | 7041 Interstate Island Road | Syracuse | NY 13209